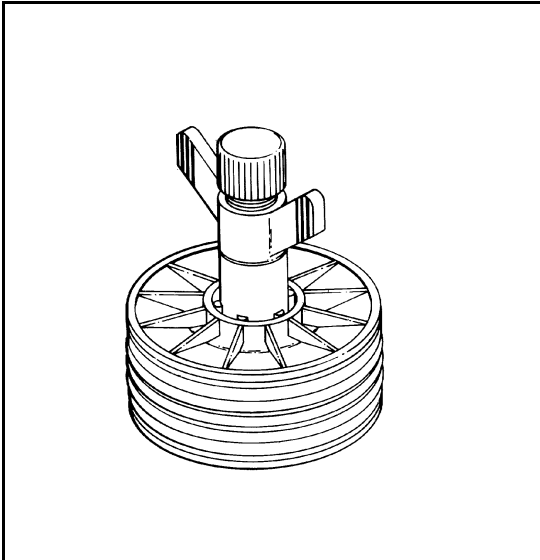
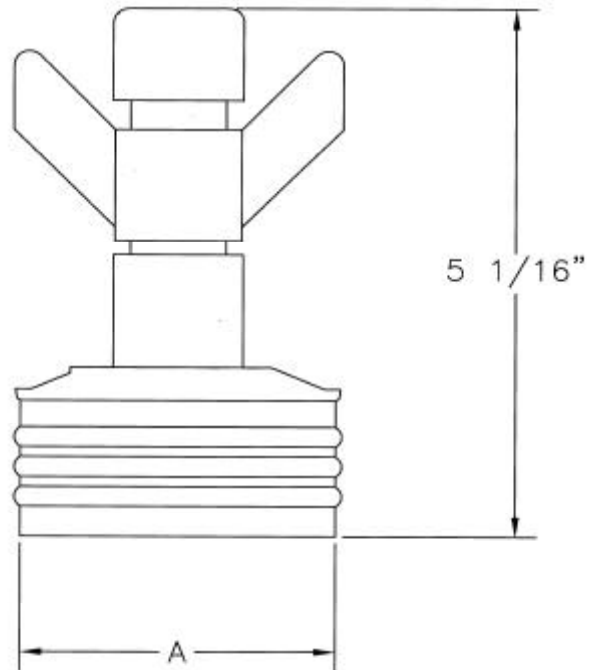


# Specialty Products™

## WING NUT PLUG Specification Sheet



PART NO.	DESCRIPTION	MSTR CTN QTY/LBS
P-0033	WNP 1-1/2"	100/19
P-0034	WNP 2"	100/23
P-0035	WNP 3"	50/16
P-0036	WNP 4"	25/17
P-0037	WNP 6"	40/20



### DESIGN FEATURES

- Designed for testing ABS, PVC, and Cast Iron, DWV pipe.
- Re-useable for greater economy
- No tools required; extra large wing nut makes it easy to hand tighten
- Triple O-ring design gives greater gripping power
- Cleans up with water
- Hollow stem has thread to receive hose for filling the system
- Made in the USA

### MATERIAL SPECIFICATIONS

- Center constructed of thermoplastic rubber
- Body constructed of high impact plastic
- Color: Blue and Orange

Part Number	A
P-0033	1-1/2"
P-0034	2"
P-0035	3"
P-0036	4"
P-0037	6"



3689 Arrowhead Drive, Carson City, NV 89706  
 Phone (800) 854-3215 Fax (800) 243-1777  
 E-mail sales@lspproducts.com Website www.lspproducts.com

Content matter is subject to change at any time. It is the user's responsibility to ensure the most updated revisions are obtained.

SP/S-2008 (05-03) Rev 2

Product Submittal	
Job Name	
Date	
Part Number	Quantity
Architect	
Contractor	